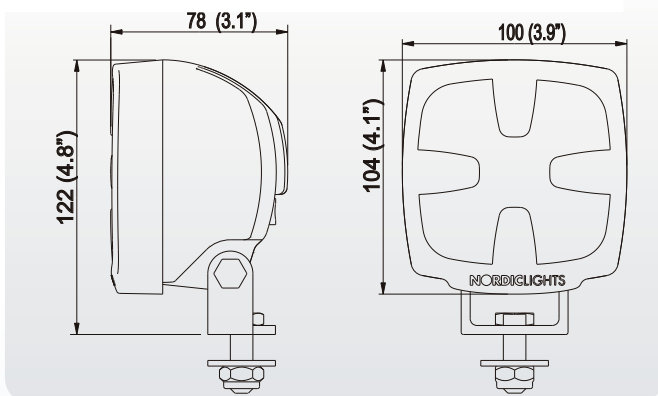


N25LED - heavy duty LED worklight

The N25LED worklight is designed for applications, where high service life and durability is important in extremely tough conditions.

Its low power consumption and multi-voltage use, combined with superior illumination and extremely long life time, makes the N25LED worklight suitable for most applications in the industry. The N25LED worklight is completely waterproof and shock resistant, which gives the most requiring customer a product that exceeds all expectations.



N25LED Flood Specifications



Luminous flux:	570 lm
Nominal Voltage:	12 - 80 V DC
Power Consumption:	17 W
Nominal Current at 12V:	1,4 A
Nominal Current at 24V:	0,7 A
Electronics:	Integrated -Epoxy Encapsulated
Connector:	Deutsch DT Series 2 Pin
Mount:	Singel Bolt M10
Shock:	60 G
Lens:	PC
Body:	Aluminum
Weight:	1,0 kg
IP Rating:	IP68
Salt Mist:	ISO9227
EMC:	ISO13766, ISO14982 ISO7637-2, EN12895
Operating Temperature:	-40°C...+50°C

Nordic N25LED - Flood

