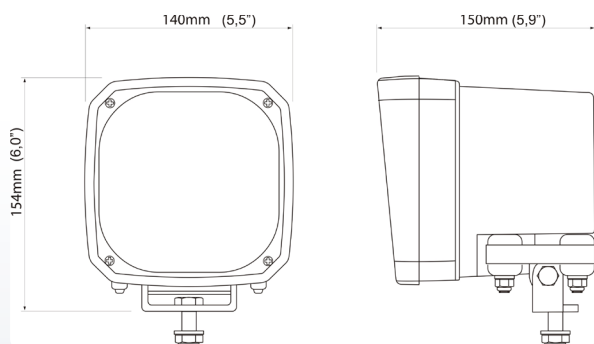


N400HID Booster - New 45W ballast

The Nordic N400HID has been developed for use in harsh environments. Incorporating an encapsulated ballast, glass fibre reinforced polymer body with Gore membrane vent and a heavy duty steel / anodised aluminium mount.



N400HID Booster Specifications

Bulb:	Standard D1S
Voltage DC:	12V 24V
Input current:	4.1 A 2.0A
Ballast:	Integrated
Connector:	Blt-In Deutsch DT Series 2 Pin Deutsch DT Series 2 Pin + Pigtail
Mount:	Singel Bolt M10
Shock:	50 G
Vibration:	15.3 G rms 24 -2000 Hz
Lens:	Hardened Glass
Body:	Aluminum
Weight:	1.4 kg
IP Rating:	IP68
Salt Mist:	ISO 9227
EMC:	ISO13766
Operating Temperature:	-40°C...+85°C
Colour Temperature:	4250K

Light Patterns

