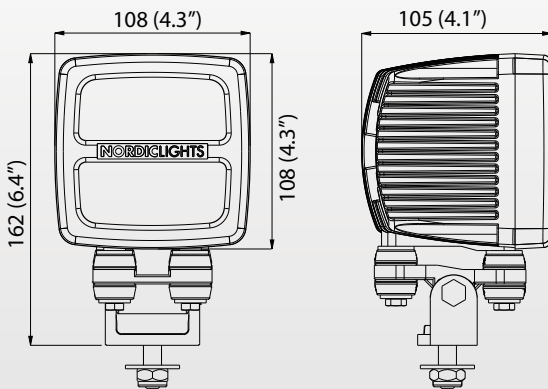


N44LED

LED technology creates more value through:

- Long lifetime
- High operational safety
- Minimum power consumption, thus energy savings
- Wear- and maintenance-free
- Increased safety through quick switch-on behaviour



Light Patterns:

- Wide Flood
- Flood
- LoBeam
- HiBeam

N44LED Specifications

Lumens Output:	1800lm
Nominal Voltage DC:	12-24V
Power Consumption:	40W
Nominal Current at 12V:	3.3A
Nominal Current at 24V:	1.7A
Electronics:	Integrated
Connector:	Built-In Deutsch Built-In AMP
Mount:	Single Bolt M10
Shock:	60G
Vibration:	15/20G rms 24-2000Hz (Undamp/Damp)
Lens:	PC
Body:	Aluminum
Weight:	1.6 kg
IP Rating:	IP68
Salt Mist:	ISO9227
EMC:	ISO13766, ISO14982 ISO7637-2
Operating Temperature:	-40°C...+85°C (Overheat protection - activates at +50°C)

Light Patterns

